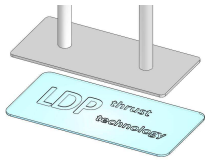
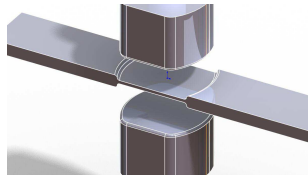


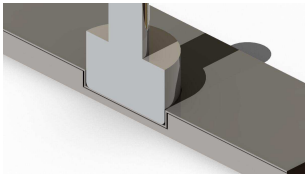
## Hydropneumatic Presses L-Type



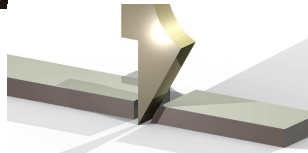
Marking



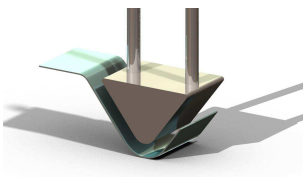
Pressing



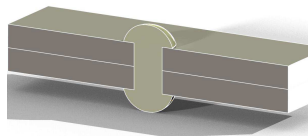
Forming



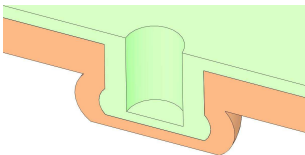
Punching



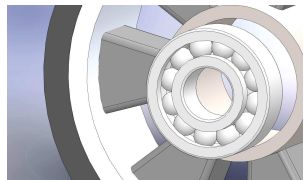
Bending



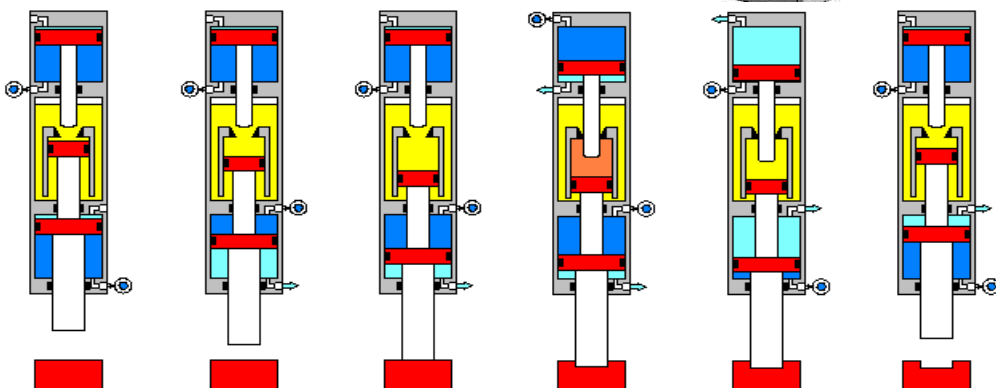
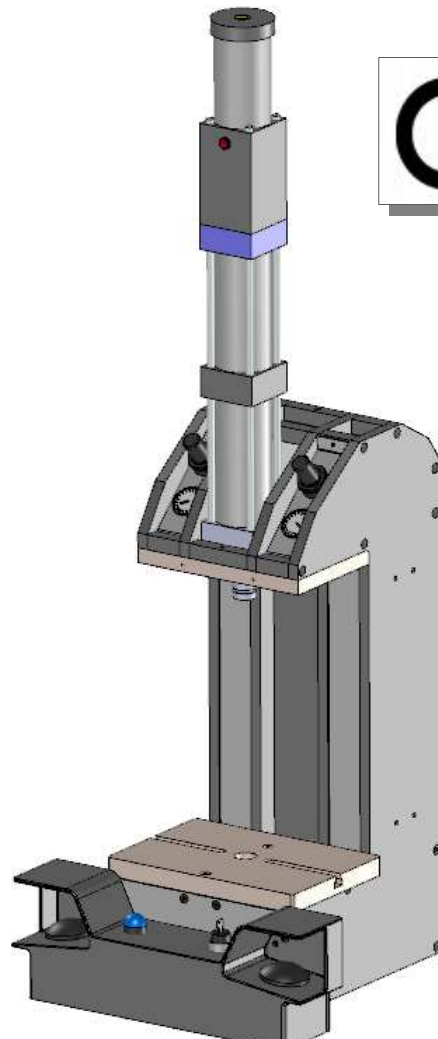
Riveting



Clinching



Mounting





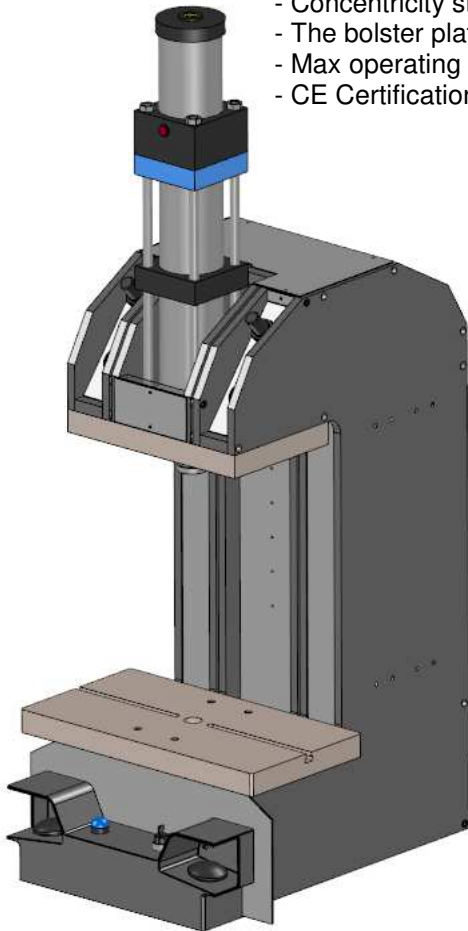
## TECHNICAL FEATURES

The L-Type hydropneumatic Presses are particularly suitable for operations where a fair thrust and a relatively short stroke are required. These Presses are set into operation by simply connecting them to the compressed airline supply port.

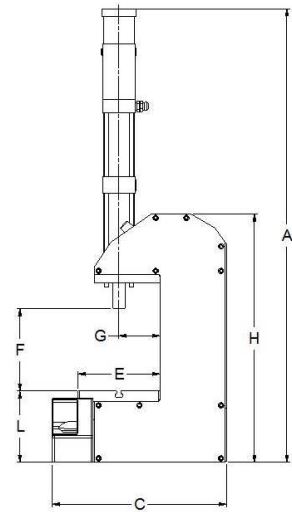
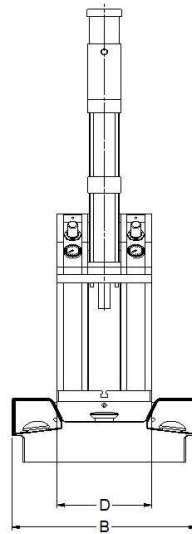
By installing the E-Type Press heads, it is possible to concentrate in a single unit features like speed, compressed air low noise and the high hydraulically delivered thrust. The standard C structure enables maximum functional utilization.

The design features though, allow for custom made versions supplied on request. The standard control circuit caters for the majority of the applications, but it can be especially layed out to suit any specific requirement

- No. 5 models with standard approach stroke 100 mm + 15 mm work
- Available thrusts range 9, 16, 24, 33 and 50 kN at 6 bar pressure
- Concentricity stem - bolster plate work
- The bolster plate is provided of T-slots
- Max operating air pressure is 6 bar
- CE Certification



MODEL	Approach Thrust kN	Return Thrust kN	Work Thrust kN
L 09	1,9	1,8	7,1
L 16	1,9	1,8	14,1
L 24	1,9	1,8	22,0
L 33	4,0	3,4	29,3
L 50	4,0	3,4	45,8



## DIMENSIONS

MODEL	Weight kg	A	B	C	D	E	F	G	H	L
L 09	100	1400	450	465	290	200	350	100	735	175
L 16	120	1400	450	465	290	200	350	100	735	175
L 24	160	1400	450	465	290	200	350	100	735	175
L 33	420	1600	520	680	500	270	435	160	1030	270
L 50	430	1600	520	680	500	270	435	160	1030	270

### PRODUCTION PROGRAMME:

- Pressure booster, Air-Oil cylinders

- E-Type, CS-Type, KS-Type and special Press heads—Clicnhing systems

- Pneumatic and Hydropneumatic units with swan neck as well as pillars type

### LDP thrust technology

ADMINISTRATION DEPARTMENT :

Via Puccini, 13 -I- 20085 Locate T. (MILANO) Italia  
Ph. 0039 - 02 90731137 Fax 0039 - 02 90730659

FACTORY :

Via Del Lavoro, 8 -I- 24050 Bariano (BERGAMO) Italia  
Ph. 0039 - 0363 95096 Fax 0039 - 0363 959210

### DISTRIBUTED BY:

<http://www.ldpitalia.com>

E-mail: [info@ldpitalia.com](mailto:info@ldpitalia.com)

Since the products are constantly evolving, the Company reserves the right to modify the characteristics, be they technical or dimensional or aesthetic, at any time and without any notice