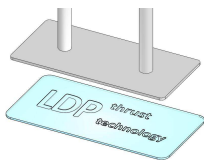
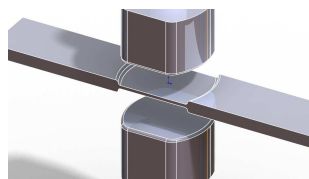


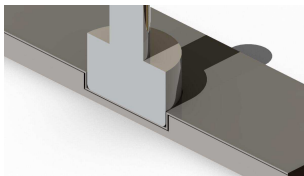
Column pneumatic Presses CP-Type



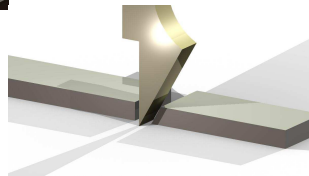
Marking



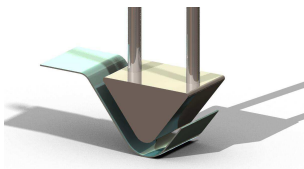
Pressing



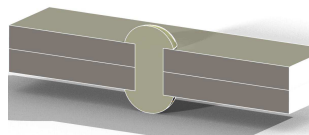
Forming



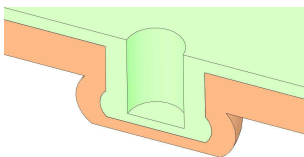
Punching



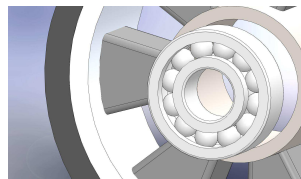
Bending



Riveting

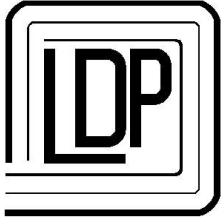


Clinching



Mounting





TECHNICAL FEATURES

The CP-Type pneumatic Presses are particularly flexibles, indicated for all assembly works where pneumatic force is sufficient.

For the operation of these machines is necessary just the connection to the compressed air.

The column structures with height adjustable allow the best way of use.

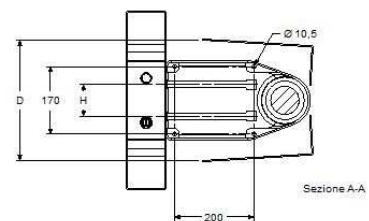
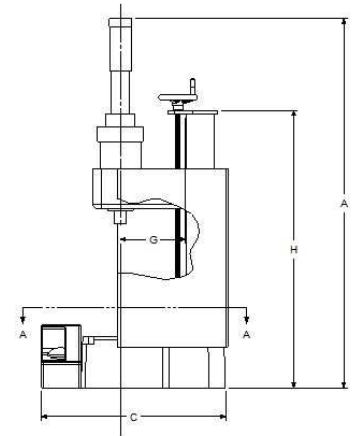
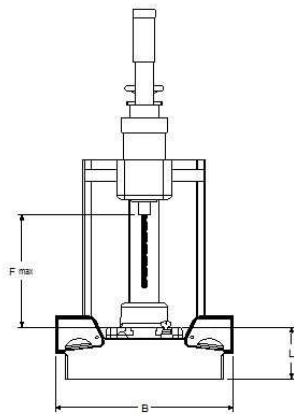
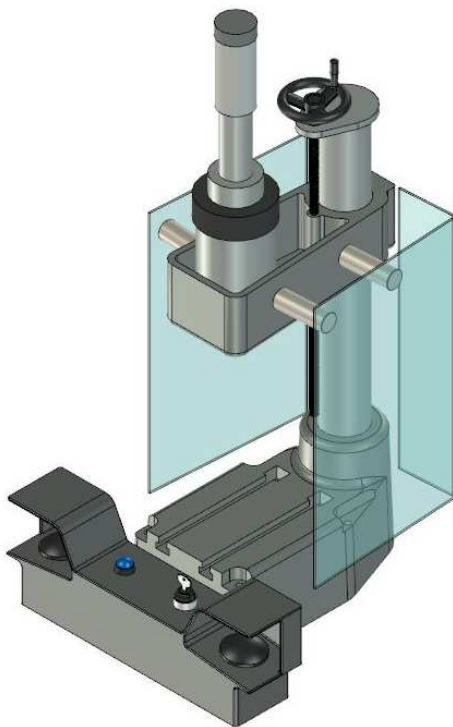
On request of the customer, thanks to the exclusive construction method, it's possible to obtain the height of the column and the stroke of cylinder customized.

The bolster plate is provided of T-slots

The standard control system is designed to meet the needs of most applications, however, there are customizable patterns

- 2 models with standard stroke 100 mm
- Fully adjustable stroke
- Available thrusts range 2,1 kN and 4,4 kN at 6 bar pressure
- Max operating air pressure is 6 bar

MODEL	Return Thrust kN	Work Thrust kN
CP 2	1,7	2,1
CP 4	4,1	4,4



DIMENSIONS

MODEL	Weight kg	A	B	C	D	F	G	H	L	Bolster Plate
CP 2	75	1070	450	480	280	415	165	700	130	200x200
CP 4	80	1070	450	480	280	415	165	700	130	200x200

PRODUCTION PROGRAMME:

- Pressure booster, Air-Oil cylinders

- E-Type, CS-Type, KS-Type and special Press heads—Clicching systems

- Pneumatic and Hydropneumatic units with swan neck as well as pillars type

LDP thrust technology

ADMINISTRATION DEPARTMENT :

Via Puccini, 13 -I- 20085 Locate T. (MILANO) Italia
Ph. 0039 - 02 90731137 Fax 0039 - 02 90730659

FACTORY :

Via Del Lavoro, 8 -I- 24050 Bariano (BERGAMO) Italia
Ph. 0039 - 0363 95096 Fax 0039 - 0363 959210

DISTRIBUTED BY:

<http://www.ldpitalia.com>

E-mail: info@ldpitalia.com

Since the products are constantly evolving, the Company reserves the right to modify the characteristics, be they technical or dimensional or aesthetic, at any time and without any notice