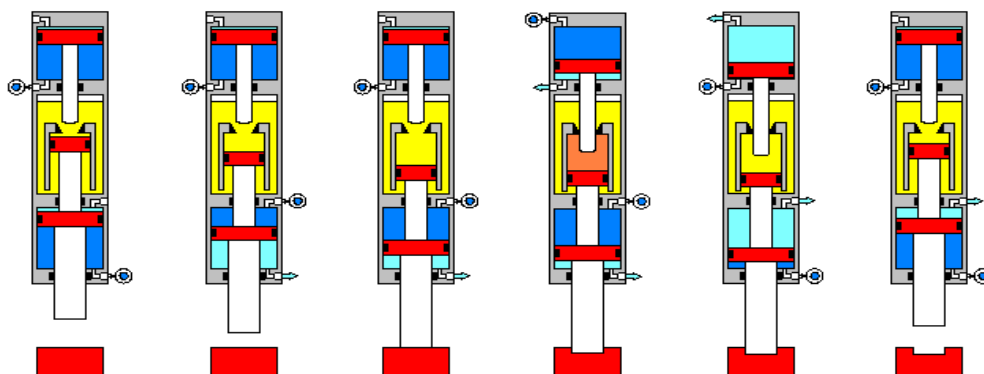
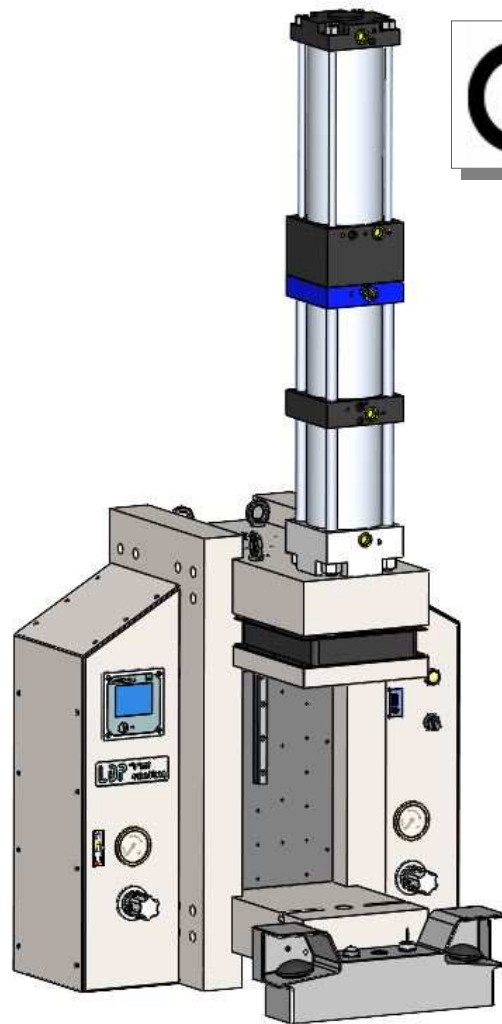
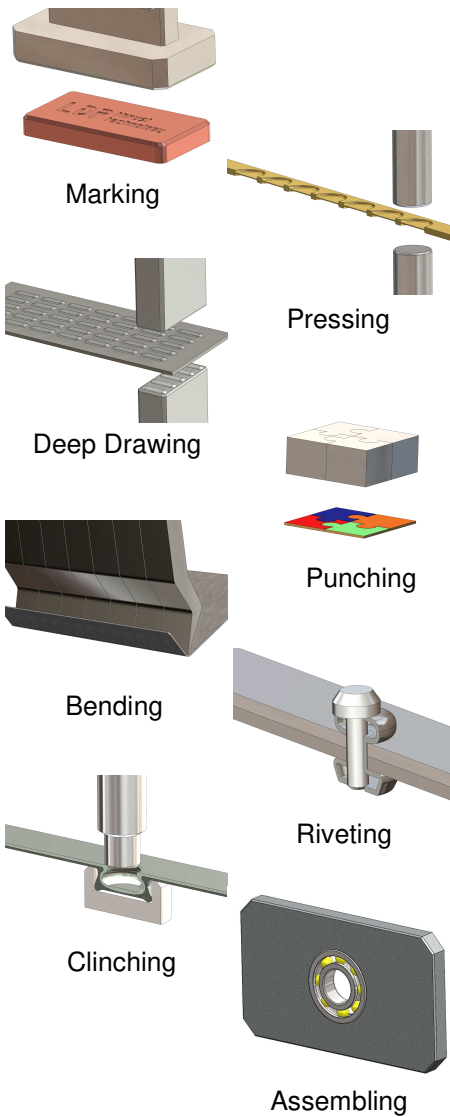


Hydropneumatic Presses CF-Type



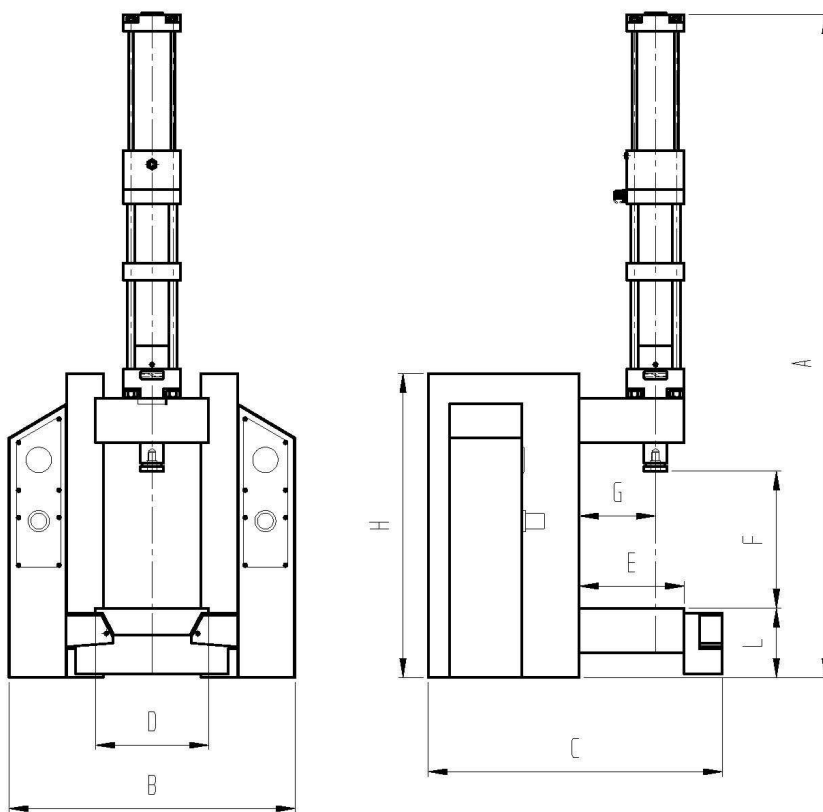
CARATTERISTICHE TECNICHE

The L-Type hydropneumatic Presses are particularly suitable for operations where a fair thrust and a relatively short stroke are required. These Presses are set into operation by simply connecting them to the compressed airline supply port and an electrical outlet. The standard C structure enables maximum functional utilization. The design features though, allow for custom made versions supplied on request

- No. 4 models with standard approach stroke 100 mm + 15 mm work
- Available thrusts range from 80 to 250 kN at 6 bar pressure
- Concentricity stem - bolster plate work
- Optional Front Mechanical Adjustment RMA
- Max operating air pressure is 6 bar
- CE Certification



MODEL	Approach Thrust kN	Return Thrust kN	Work Thrust kN
CF 08	6,2	5,4	73,9
CF 12	6,2	5,4	115,5
CF 16	10,3	9,5	150
CF 25	16,5	15,4	235,3



DIMENSIONS

MODEL	A	B	C	D	E	F	G	H	L
CF08	1750	745	710	246	260	400	180	800	165
CF12	1740	750	800	296	300	355	200	800	180
CF16	1760	885	900	346	300	400	200	800	166
CF25	1850	800	900	346	300	485	190	1000	176